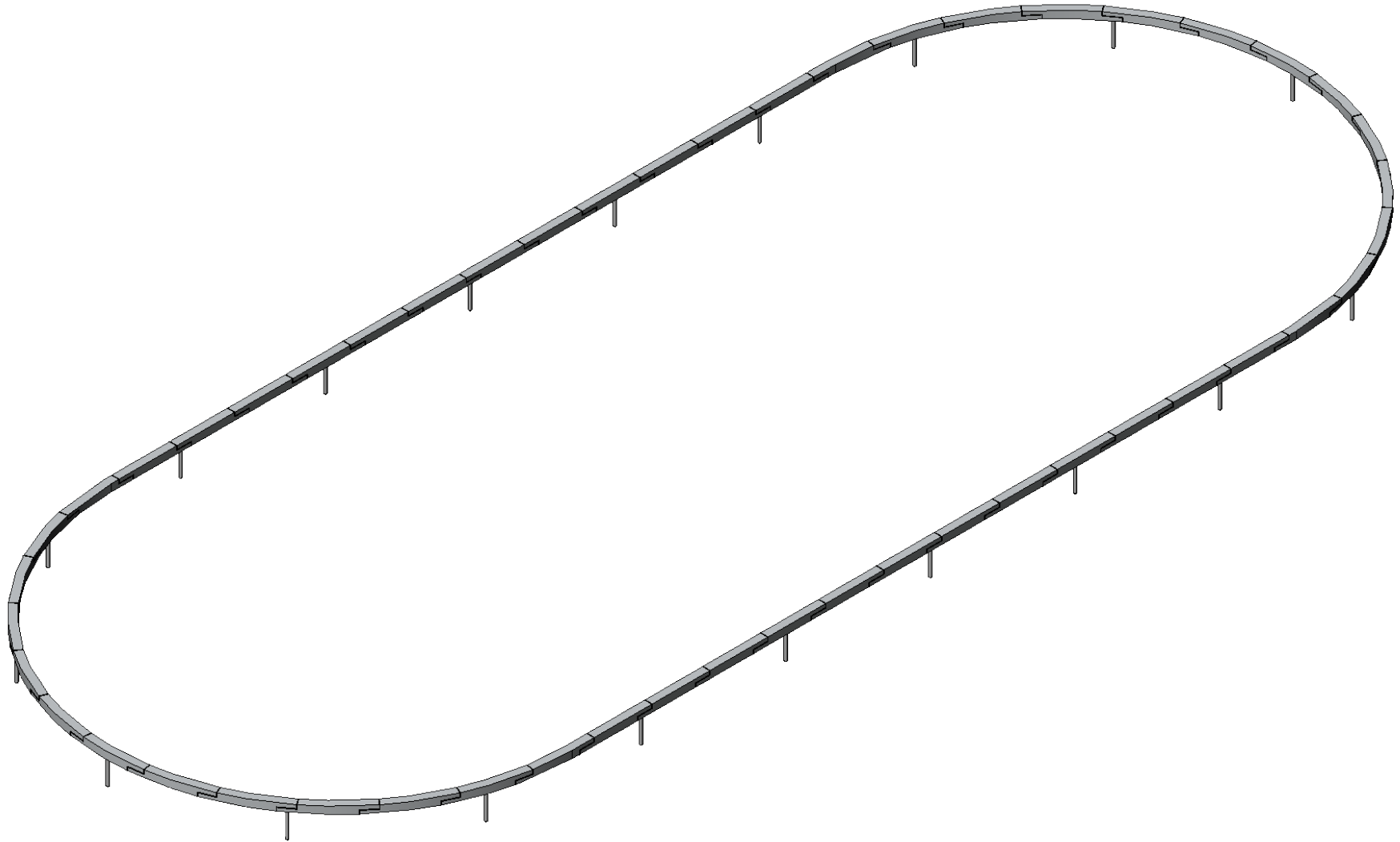


AAE Model No. 3AC Outdoor Aluminum Curbing



Aluminum Athletic Equipment
1000 Enterprise Drive, Royersford, PA 19468
Toll Free: (800) 523-5471 Fax: (610) 825-2378
www.AAEsports.com

3AC - Outdoor Aluminum Curbing

Available Finishes

Standard Mill Finish



Optional Silver Anodized Finish



Aluminum Athletic Equipment
 1000 Enterprise Drive, Royersford, PA 19468
 Toll Free: (800) 523-5471 Fax: (610) 825-2378
www.AAEsports.com

DESCRIPTION:			3AC - Available Finishes
NOTE:			Outdoor Aluminum Curbing
MODEL:	CATEGORY:	DATE:	
3AC	CUSTOMER	06/18/10	
DWN. BY:	CAD FILE:	DWG. NO.:	
TAD	3ac - Packet	3AC-C-001	

3AC Curbing - Standard Features

D

C

B

A

Curved sections are customized to the individual track and are all the same length. Curved sections are permanently bent to the exact radius of the track.

1 3/4" Welded U-Channel facilitates proper alignment between joints.

Exclusive interlocking design

Threaded neck insures tight fit. Positioning stud is easily installed and removed.

2" Square, 1/8" wall, 6063T6 Aluminum extrusion w/ rounded corners for safety.

3/8" x 3 1/4" long, custom made, aluminum pin (threaded) anchors the curb to the track.

Straight sections are customized to the individual track and are all the same length.

1/2" inner diameter x 6" long aluminum ground sleeve accepts aluminum pin to secure curb

The end drain pads on each curb section are threaded, allowing flexibility of placing positioning studs where needed.

Curbing centers on 2" wide track line

2" Track Line

3/4" dia. drilled hole, 6" deep

1/2" high welded aluminum drain pads elevate curb from track surface
- doesn't restrict water runoff
- 5 welded pads per section



Aluminum Athletic Equipment
1000 Enterprise Drive, Royersford, PA 19468
Toll Free: (800) 523-5471 Fax: (610) 825-2378
www.AAEsports.com

DESCRIPTION:			
3AC Curbing			
NOTE:			
Standard Features			
MODEL:	3AC	CATEGORY:	CUSTOMER
		DATE:	06/02/10
DWN. BY:	TAD	CAD FILE:	3ac - Packet
		DWG. NO.:	3AC-C-002

6

5

4

3

2

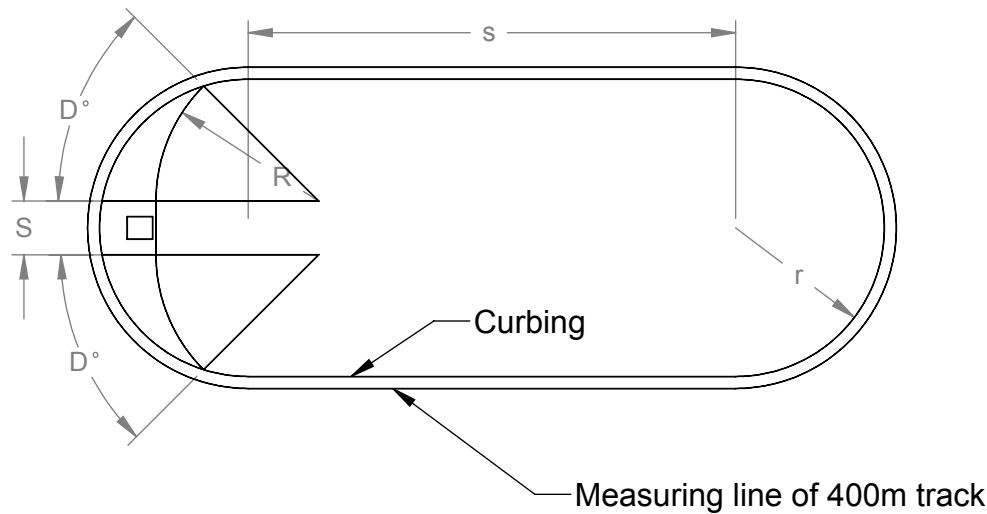
1

D

C

B

A



3AC Curbing

Approval for Fabrication

Project: _____

Contractor: _____

Approved By: _____

(Please Print)

Company/School: _____

(Please Print)

I, the undersigned, understand and accept that the information provided by me will be used to release materials for the 3AC curbing to be custom fabricated for the above mentioned project.

Any changes that are requested after fabrication has commenced will incur substantial additional charges. Likewise, any modifications or replacements that may be necessary due to insufficient or incorrect specifications must be the sole responsibility of the undersigned.

Signature: _____

Company: _____

Date: _____

Track Specifications:

1) Length of straightaway: $s =$ _____

2) Main Track 400m radius: $r =$ _____

3) Water Jump radius: $R =$ _____

4) W. J. sector (in degrees): $D =$ _____

5) Water Jump straight: $S =$ _____

Dimensions Lister are to (circle one):

A) Inside face of planned curb.

B) Outside (track side) face of planned curb.

C) 400m measuring line.



Aluminum Athletic Equipment
 1000 Enterprise Drive, Royersford, PA 19468
 Toll Free: (800) 523-5471 Fax: (610) 825-2378
 www.AAEsports.com

DESCRIPTION: **3AC Curbing**

NOTE: Pre-Fabrication Approval Sheet

MODEL:	CATEGORY:	DATE:
3AC	CUSTOMER	06/02/10

DWN. BY:	CAD FILE:	DWG. NO.:
TAD	3ac - Packet	3AC-C-003

Number/Length of Straight Sections (s)

S = _____

Number/Length of Curved Sections (r)

r = _____

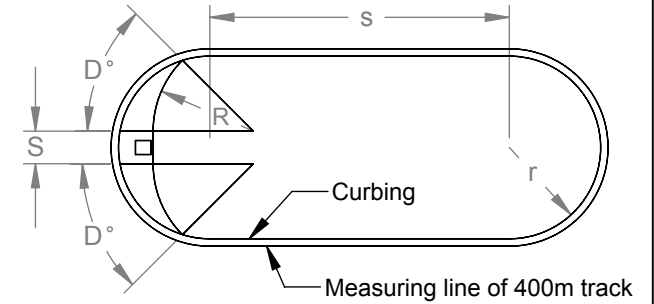
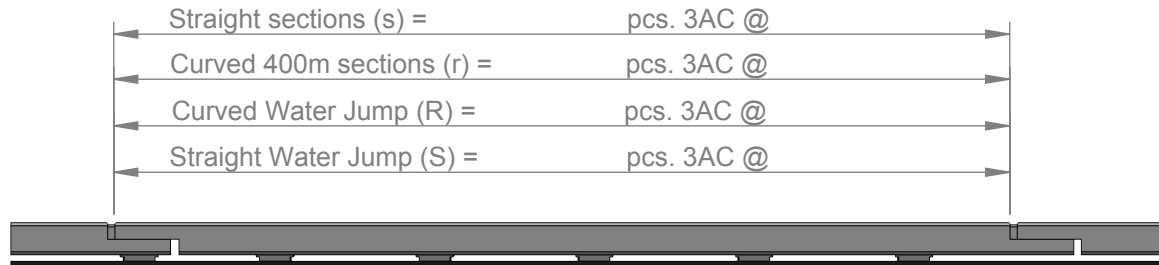
Number/Length of Water Jump Curved Sections (R)

R = _____

Number/Length of Water Jump Straight Sections (S)

S = _____

Number/Length of Sections



Track Specifications:

- 1) Length of straightaway: s = _____
- 2) Main Track 400m radius: r = _____
- 3) Water Jump radius: R = _____
- 4) W. J. sector (in degrees): D = _____
- 5) Water Jump straight: S = _____

Note: All radii listed are to the inside face of the planned 3AC curb.

Linear Feet of Curbing:

- 1) Straightaways (s) = _____
- 2) Curved 400m (r) = _____
- 3) Curved Water Jump (R) = _____
- 4) Straight Water Jump (S) = _____

Total Linear Footage = _____

P.O. # _____ Date: _____ By: _____



Aluminum Athletic Equipment
 1000 Enterprise Drive, Royersford, PA 19468
 Toll Free: (800) 523-5471 Fax: (610) 825-2378
www.AAEsports.com

DESCRIPTION: **3AC Curbing**

NOTE: 3AC Curbing Calculation Sheet

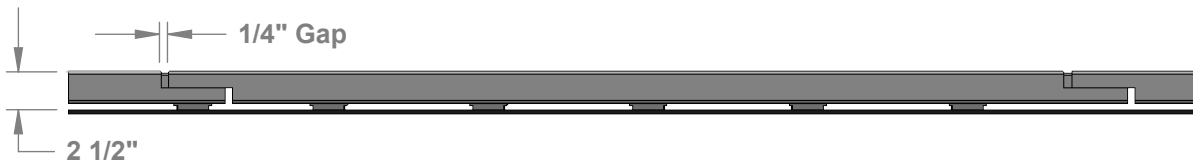
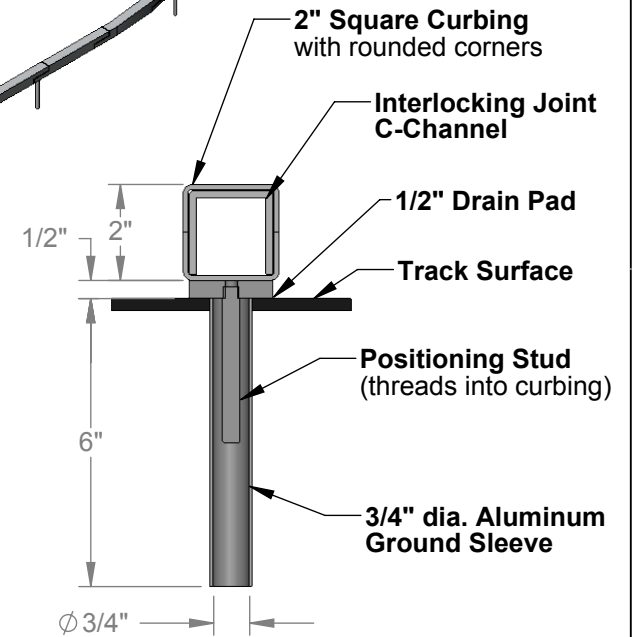
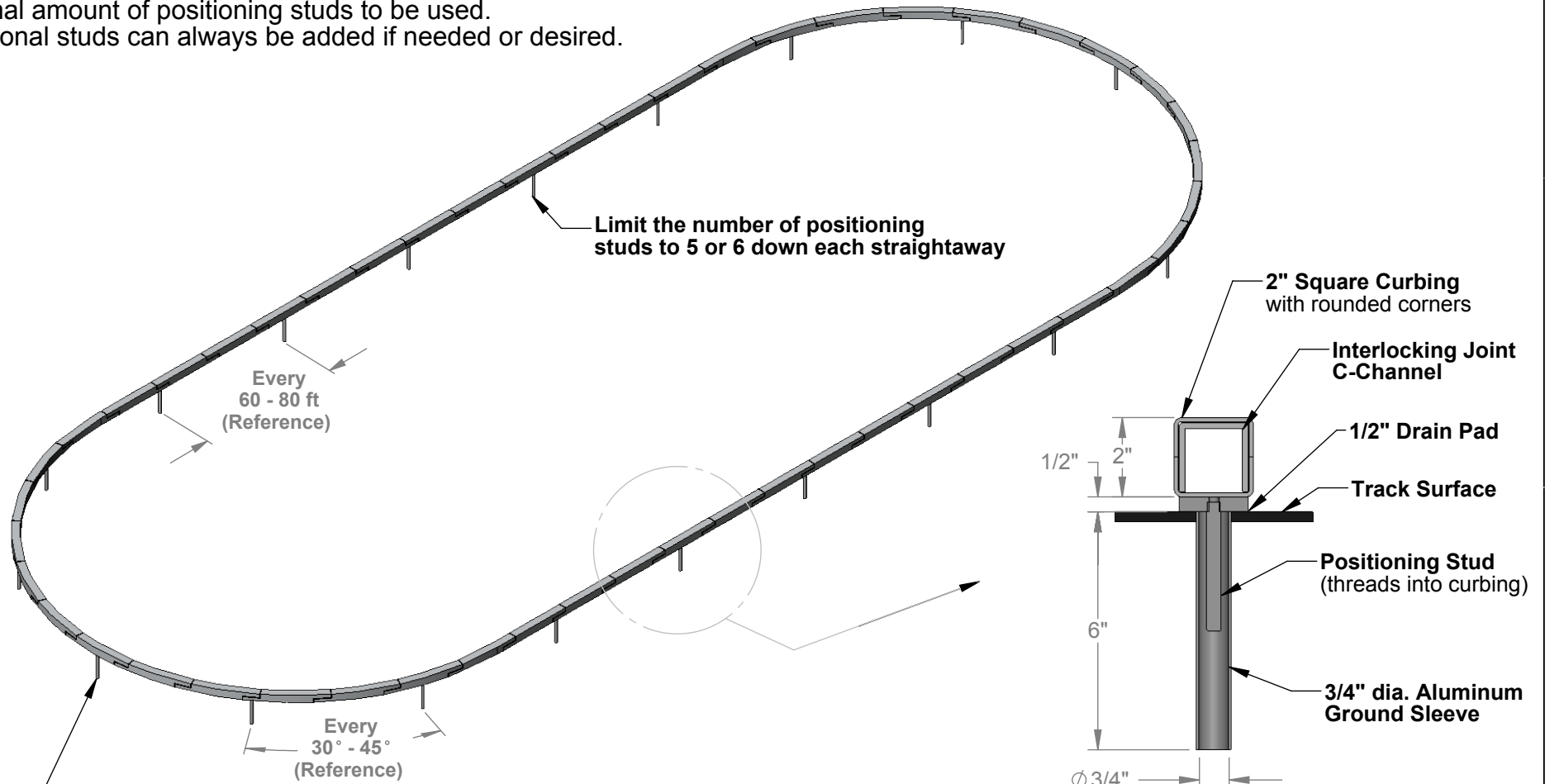
MODEL: 3AC	CATEGORY: CUSTOMER	DATE: 06/03/10
------------	---------------------------	----------------

DWN. BY: TAD	CAD FILE: 3ac - Packet	DWG. NO. 3AC-C-004
--------------	------------------------	--------------------

3AC Curbing

Positioning Studs - Recommended Placement

Note: The interlocking design of the 3AC curbing allows for a minimal amount of positioning studs to be used. Additional studs can always be added if needed or desired.



Aluminum Athletic Equipment
 1000 Enterprise Drive, Royersford, PA 19468
 Toll Free: (800) 523-5471 Fax: (610) 825-2378
www.AAEsports.com

DESCRIPTION:		
3AC Curbing - Positioning Studs Placement		
NOTE: Recommended placement for 3AC Aluminum Track Curbing positioning studs		
MODEL:	CATEGORY:	DATE:
3AC	CUSTOMER	06/16/10
DWN. BY:	CAD FILE:	DWG. NO.:
TAD	3ac - Packet	3AC-C-005

6 5 4 3 2 1

3AC - Installation Instructions

1

2"
Curve
Tangent Point
Straightaway

2

Locate center of drain pad (1") and transfer mark to the track surface

3

4

5

1/4"

6

1/4"

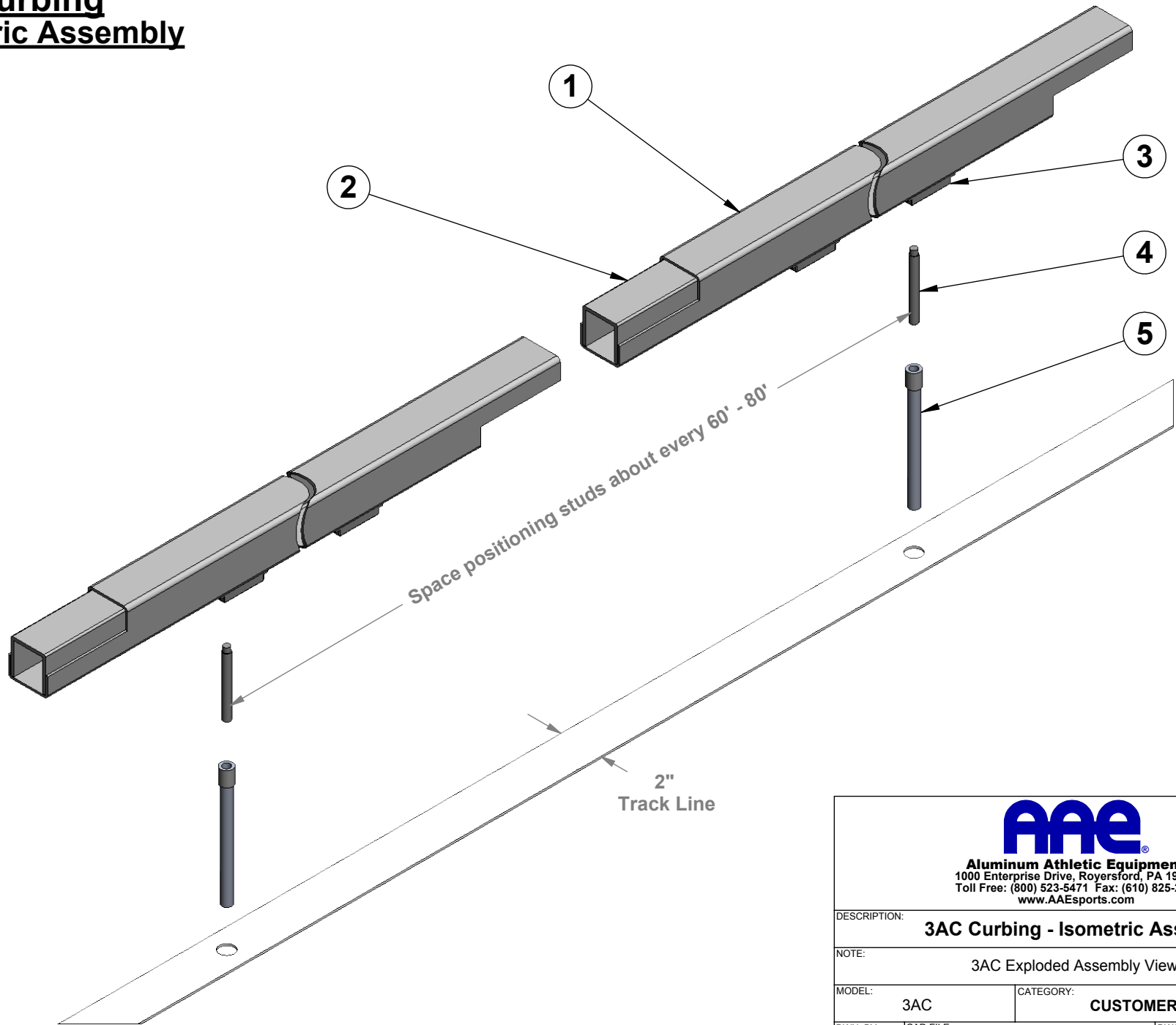
Aluminum Athletic Equipment
1000 Enterprise Drive, Royersford, PA 19468
Toll Free: (800) 523-5471 Fax: (610) 825-2378
www.AAEsports.com

DESCRIPTION:		
3AC - Installation Instructions		
NOTE: Outdoor Aluminum Curbing		
MODEL:	CATEGORY:	DATE:
3AC	CUSTOMER	06/18/10
DWN. BY:	CAD FILE:	DWG. NO.
TAD	3AC - Packet	3AC-C-006

Copyright © 2010 Aluminum Athletic Equipment Co.

4 3 2 1

3AC Curbing Isometric Assembly



Aluminum Athletic Equipment
 1000 Enterprise Drive, Royersford, PA 19468
 Toll Free: (800) 523-5471 Fax: (610) 825-2378
www.AAEsports.com

DESCRIPTION:		
3AC Curbing - Isometric Assembly		
NOTE:		
3AC Exploded Assembly View		
MODEL:	CATEGORY:	DATE:
3AC	CUSTOMER	06/18/10
DWN. BY:	CAD FILE:	DWG. NO.:
TAD	3ac - Packet	3AC-C-007

3AC CURBING PARTS LIST

Pt#	Item	Description	Qty.
1	Curb	2" x 2" x .109" wall 6063T6 aluminum extrusion w/ .188" radius on outside corners for safety.	*
2	U-Channel	1-3/4" x 1-3/4" x .125" square corner 6061T6 extruded aluminum U-Channel.	*
3	Drain Pad	1/2" x 2" square corner 6061T6 extruded aluminum U-Channel.	**
4	Positioning Stud	7/16" x 3-1/4" long, custom-made aluminum hex stud w/ threaded neck.	***
5	Ground Sleeve	3/4" dia. x .060 wall x 6" long 6061T6 aluminum extrusion with neck swaged to 13/16" dia.	***

* Amount is calculated in linear feet for length of curb ordered. A normal 400m track usually has 1328 linear feet of 2" x 2" curb and 20 linear feet of 1-3/4" U-Channel.

** 5 welded pads are provided on each 20' section of curb.

*** 1 positioning stud and 1 ground sleeve are provided with every other section of curb. (33 pins and ground sleeves for a normal 400m track.) We strongly recommend limiting the number of positioning studs and ground sleeves to 5-6 down each straightaway and 5-6 around each curve. If more are needed, they can always be added later. Additional pins and ground sleeves will be provided at no extra charge.

3AC CURBING INSTALLATION INSTRUCTIONS

INSTALLATION:

1. Using the tangent point of one straightaway as a starting point, position the first piece of curb in place so that ½ of the interlocking notch (2") protrudes into the curve. Lay out the remaining pieces of curbing around the track, allowing ¼" gap at each joint. Check all clearances and make final adjustments.
(Reference – the distance from the outside of the line on Lane #1 to the track face of the curb should be 42")
2. With the first piece of curb centered on the white track line. Mark the center of the drain pad closest to the tangent point of the curve, and transfer that center mark to the track surface.
3. Move the curbing off the white line. Using a carpenters' square, transfer the center mark over the white line and locate a drilling point on the center of the 2" wide white line.
4. With the first center located, use the ground sleeve to punch out a hole in the synthetic track surface (**on center**). Then, using a rotary jackhammer, or hammer drill, with a ¾" carbide tip; drill the hole to a depth of 6". Tap in the aluminum ground sleeve and set flush with the track surface.
5. Thread positioning stud into curb and set in place.
6. Align next piece of curbing to the track line and check the gap.
(No positioning studs will be installed in this piece).
Align the third piece of curbing and check the gap. Repeat steps #2 – 5 to install 1 positioning stud and ground sleeve.
7. Repeat procedures to install a positioning stud and ground sleeve in **no more than every other** piece of curbing until curb is completed.

Note: Although 1 positioning stud and 1 ground sleeve are provided for every other section of curb, we strongly recommend limiting the number of positioning studs and ground sleeves to 5-6 down each straightaway and 5- 6 around each curve. If more are needed, they can always be added later. Additional pins and ground sleeves will be provided at no extra charge.
The exclusive interlocking design of our 3AC curb allows for a minimum number of studs to be used.

FOR TECHNICAL ASSISTANCE: CALL 1-800-523-5471